



# Deterioration Indicator

RH-23

Visually check for deterioration or malfunction of power distribution equipment day and night



## **1. Large display unit**

The display is large and easy to visually check.

## **2. Detection of deterioration and failure even at night**

When power distribution equipment such as transformers, switchgear, and surge arresters deteriorate or fail, the deterioration indicator (red fluorescent sheet and reflective sheet) protrudes.

## **3. Detects deterioration without power supply**

## **4. Can be used as many times as required**

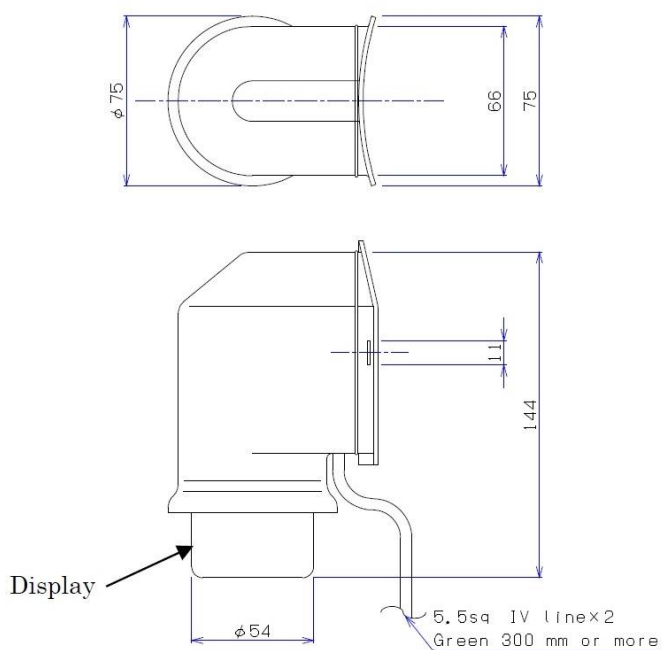
The deterioration indicator can be restored by using the Return rod for the degradation indicator (Separately sold item Return rod type: RH-FK23).

## **5. Can be installed without power failure**

## Characteristics

| Type                            | RH-23   |             |
|---------------------------------|---|-------------|
| Operating characteristics       | Within 1 second at 1A to 30A  |             |
| Discharge withstand             | Lightning impulse large current (4/10 $\mu$ s)  | 30kA 3times |
|                                 | Square wave impulse current (2ms)   | 75A once    |
| Lead wire                       | 5.5 mm <sup>2</sup> (green)   |             |
| Installing method               | Installing with a stainless band (width 10mm)<br>Stainless band is not attached to RH-23. |             |
| Operating temperature           | -35°C to +40°C  |             |
| Weight                          | about 300g  |             |
| Separately sold item return rod | Type: RH-FK23<br>The return rod is not attached to RH-23                                  |             |

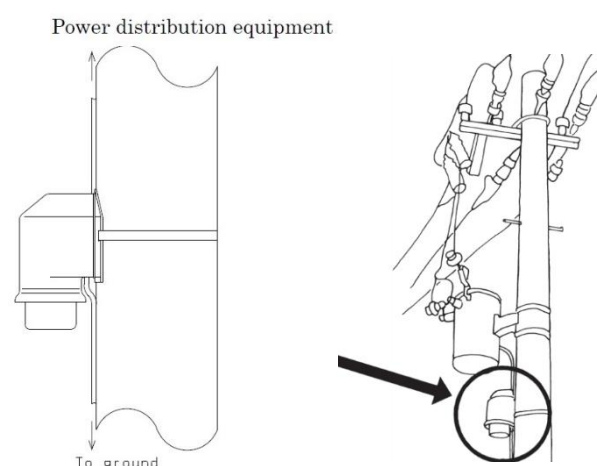
## External dimensions



## How to use the return stick



## Connection examples



**OTOWA** **OTOWA ELECTRIC CO.,LTD.**

5-6-20, Shioe, Amagasaki City, Hyogo Pref.

〒661-0976, JAPAN

<https://www.otowadenki.com>

